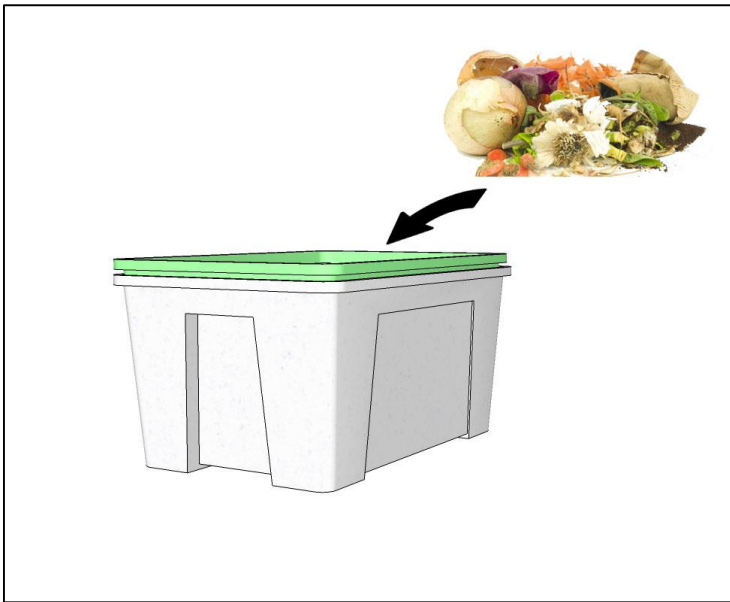


List of changes:

- N/A



Vermicomposter

Henrique Sánchez



This work is licensed under a Creative Commons Attribution 4.0 International License

Material List

Number of steps: 14



Colored IKEA SAMLA box 22L or similar volume plastic box. #2



Regular potting soil, 10 liters



Non-transparent IKEA SAMLA lid for 22L box or equivalent for other box choice. #1



Dead brown leaves or cardboard, 10 liters



Drill, #1



Daily kitchen vegetable & fruit waste of 2 people



5mm drill bit, #1



Plastic hand shovel or similar, #1

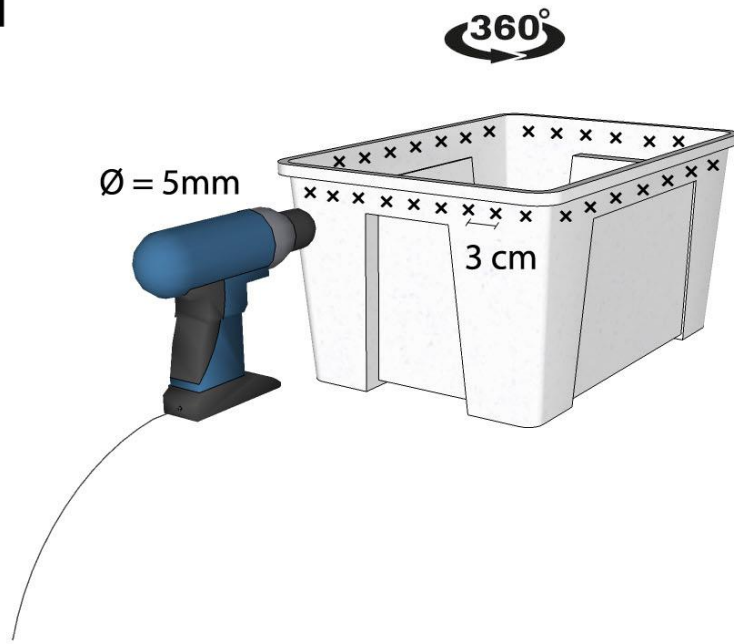


Measuring tape or ruler, minimum 1 meter

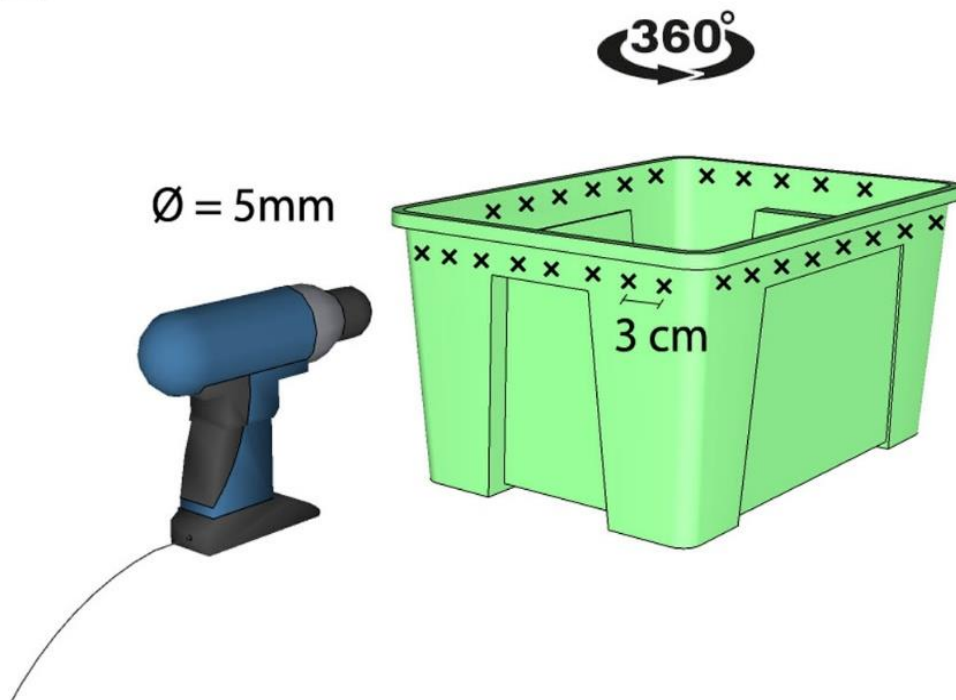


Eisenia fetida (Red wiggler), #15

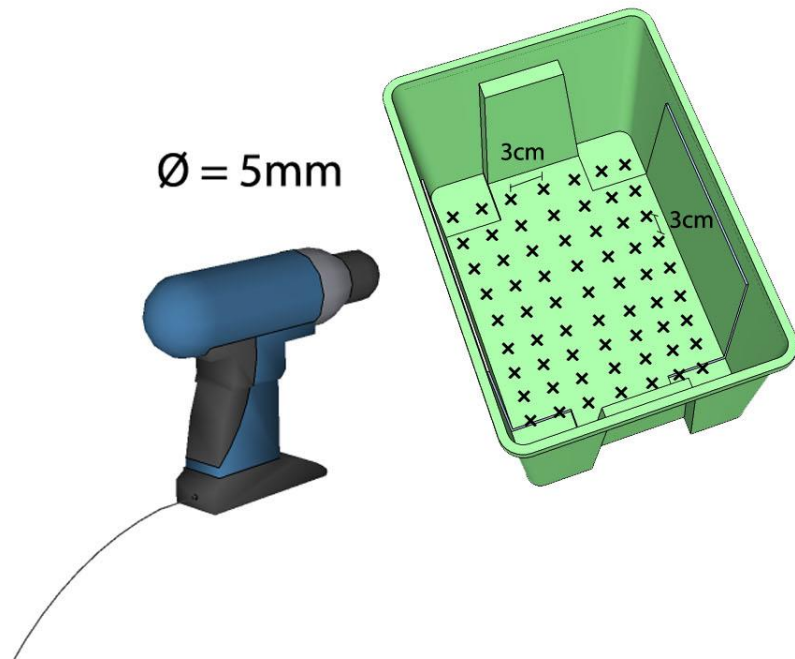
1



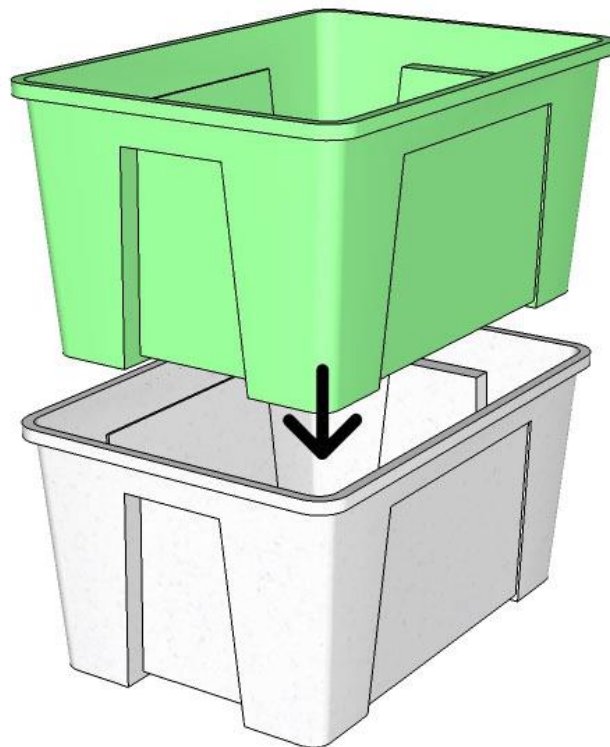
2



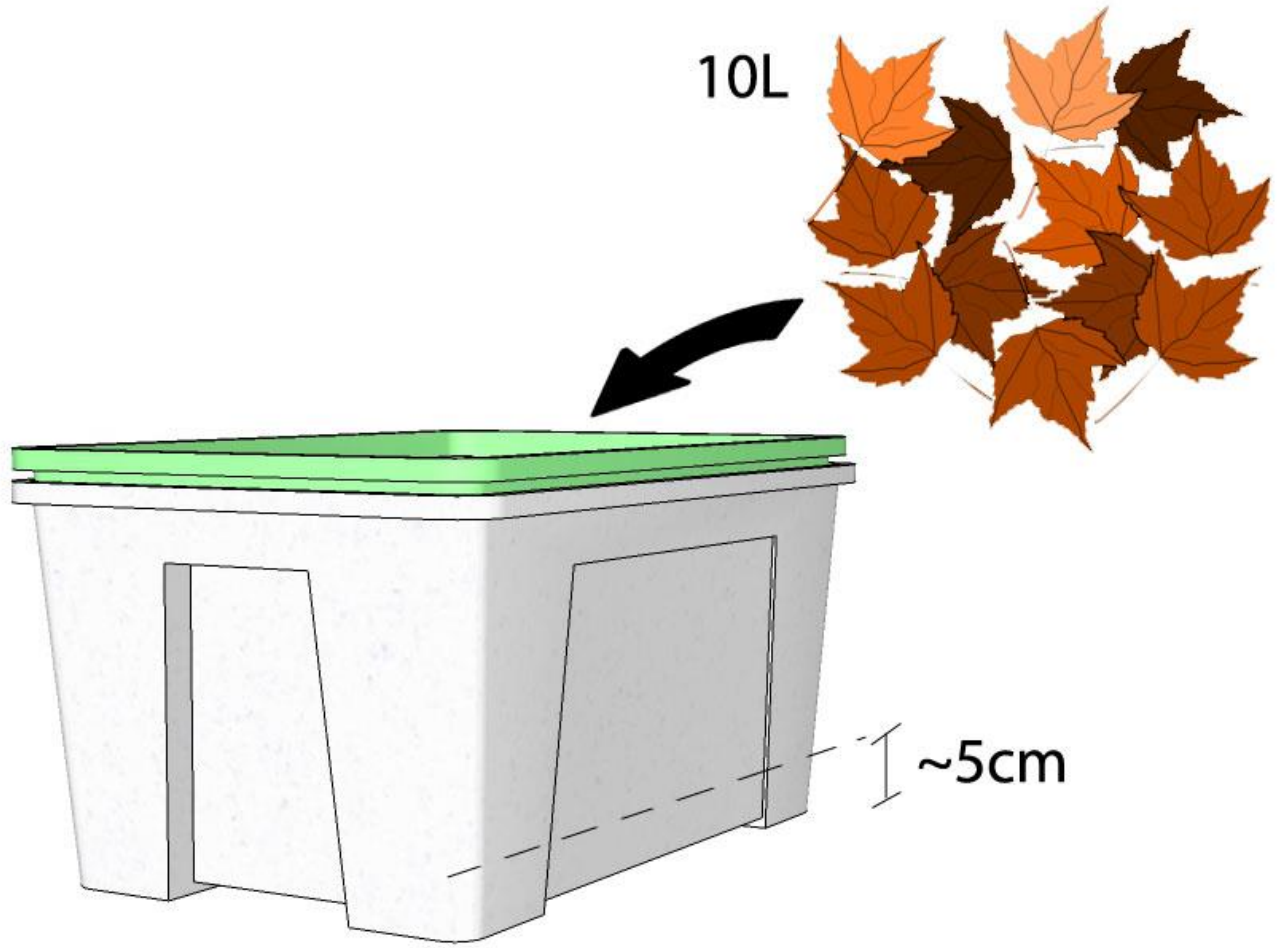
3



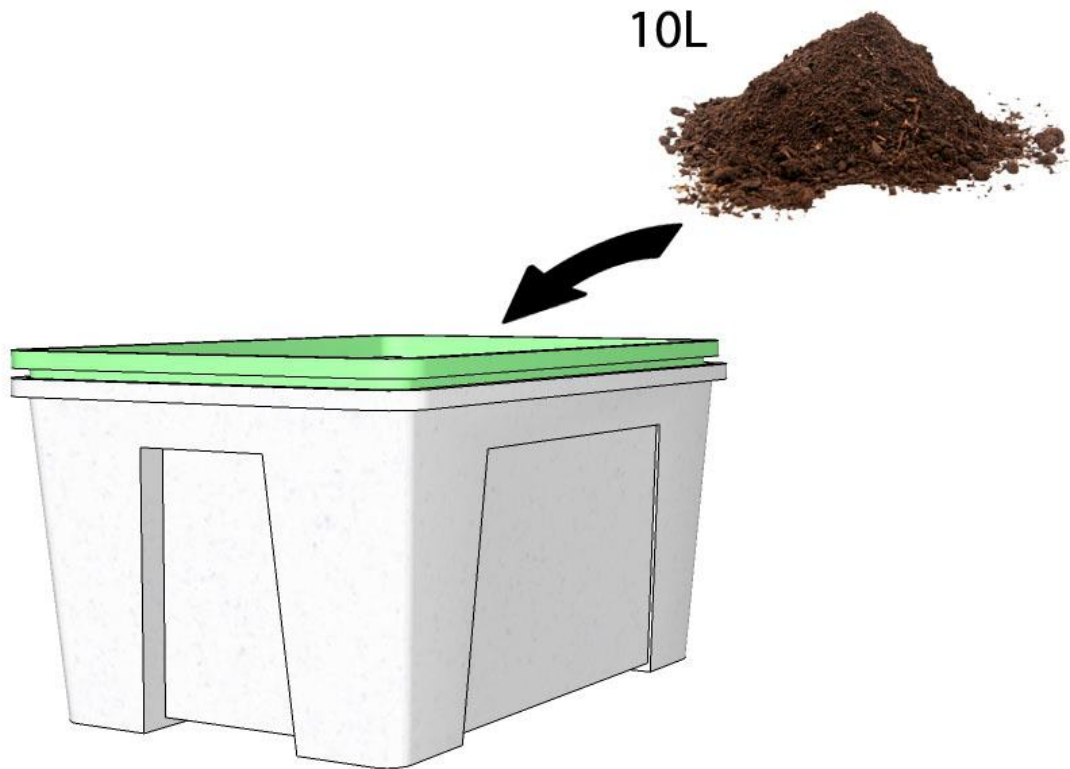
4



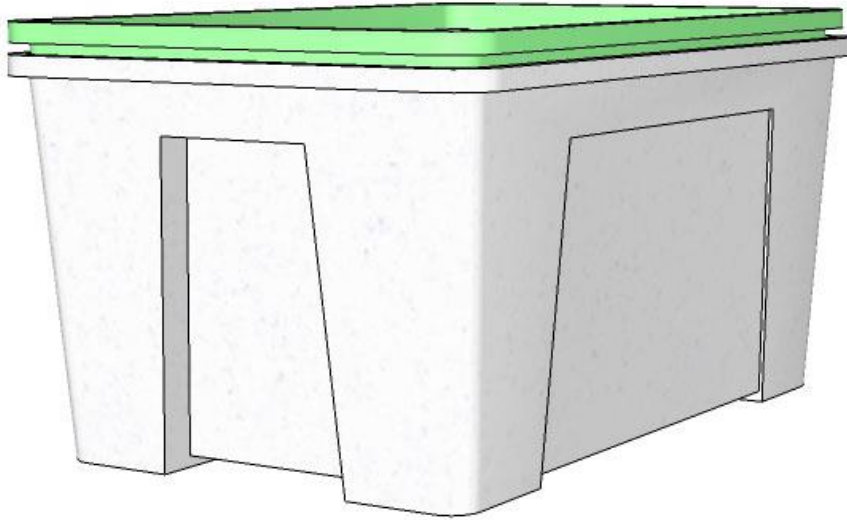
5



6

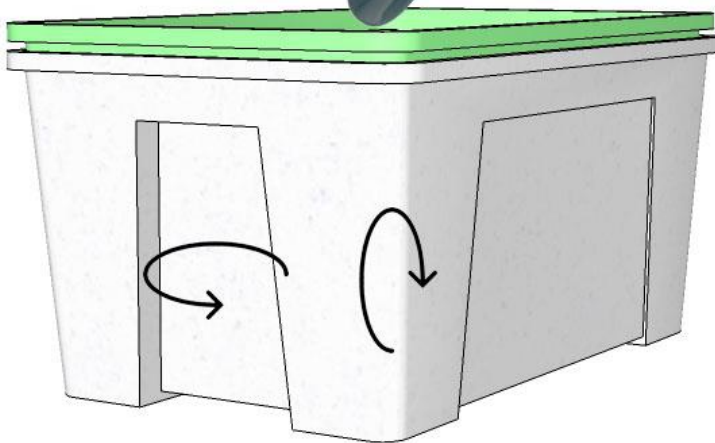


7



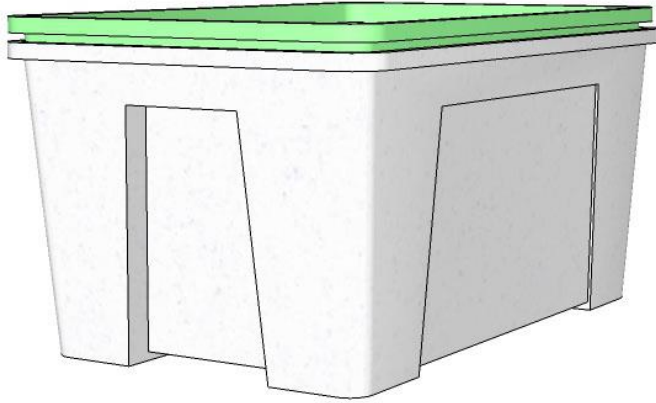
8

Mix
everything

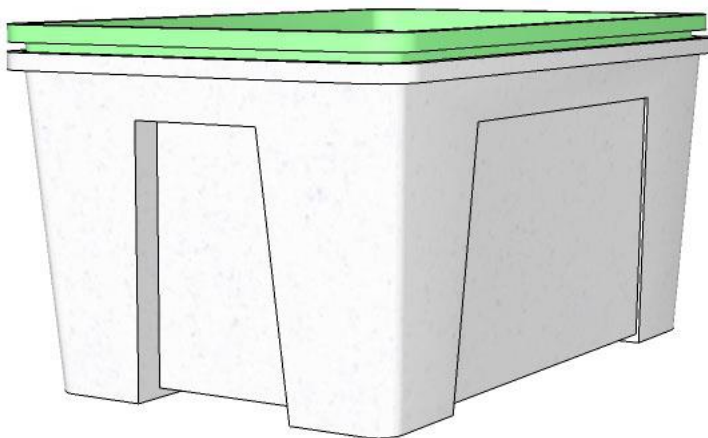


9

#15



10



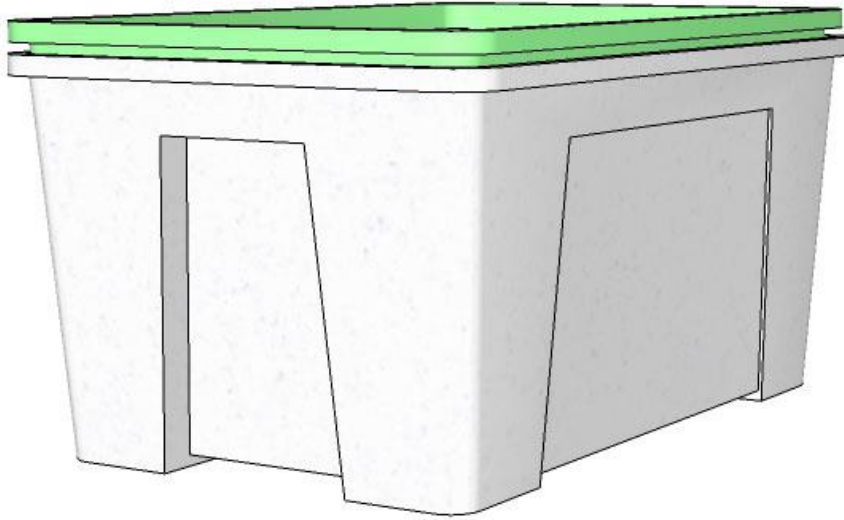
11



12

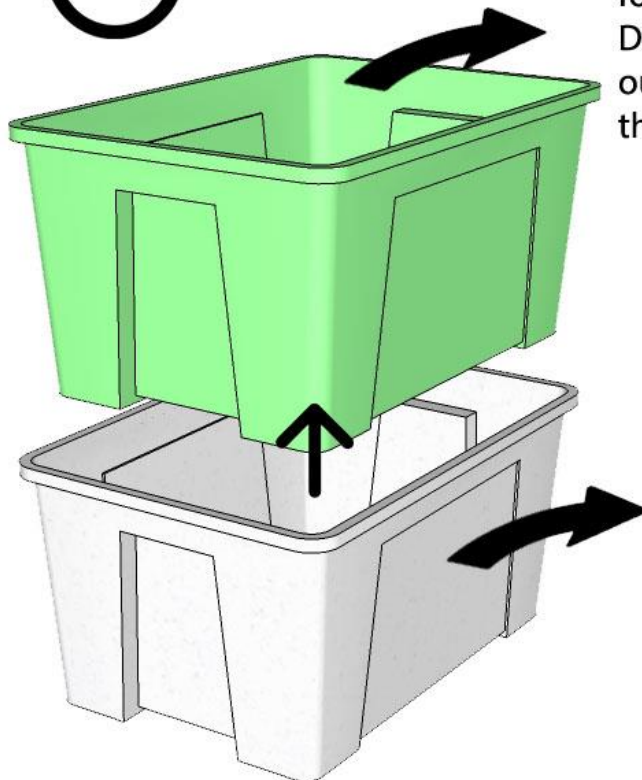


13



Mix
everytime
new waste
is added

14



Remove compost
for new gardening use.
Don't take the worms
out unless you notice
they've bred!

Check if there's
water every week
and use it for
watering your
plants

Known Issues/Suggestions:

- While durable, plastic isn't the most sustainable material;
- Requires manual aeration by mixing with hand shovel;
- Requires balancing of carbon based scraps and nitrogen based scraps to ensure adequate balance;
- Can be prone to bug infestation such as flower flies and thrips;
- Depending on the household, the 22L volume might not be enough to process a daily amount of kitchen scraps.

References:

- Vermicompost, <https://en.wikipedia.org/wiki/Vermicompost>
- Vermicomposting, 2003, <http://www.fao.org/docrep/007/y5104e/y5104e08.htm>